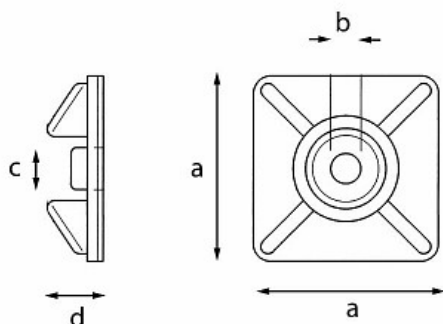


## TWO-WAY BASEPLATES



### 765 A

LVD 2014/35/EU

- Model with adhesive for strips up to 4.8 mm wide
- Material: ABS
- Good resistance to bases, greases
- Limited resistance to acids
- Not resistant to solvents, thinners, petroleum products
- Pack of 100 pcs.

Self-extinguishing

UL 94 - HB

Operating temperature (°C)

-10° ÷ 60°C

Humidity absorption

0,1%

## Family details

Code	n°	Colour	axbxc mm	d mm	Quantity for packaging
U07650072	1	neutro/neutral	27x6x4,8	8	1
U07650074	2	nero/black	27x6x4,8	8	1

Stanley Black & Decker Italia S.r.l.

Sede legale: Via Energy Park 6 - 20871 Vimercate (MB)  
Sede operativa: Via Volta 3 - 21020 Monvalle (VA) Italia  
Partita IVA e C.F.: 03225990138

**StanleyBlack&Decker**

Società a Socio Unico soggetta a coord. e controllo da parte di Stanley Black & Decker, Inc.  
Capitale Sociale I.V. € 12.000.000